

Nylon Cable Chains Light Series

200 Series	page 44
250L-250LI-250LE Series	page 46
325LI/LE Series	page 48
325L Series	page 50
335L-335LI-335LE Series	page 52
339 Series	page 54
Channel guide for long travel distance	
For 250L-300 Series	page 56
For 325L-325LI/LE/PI-335L/LI/LE-339 Series	page 58

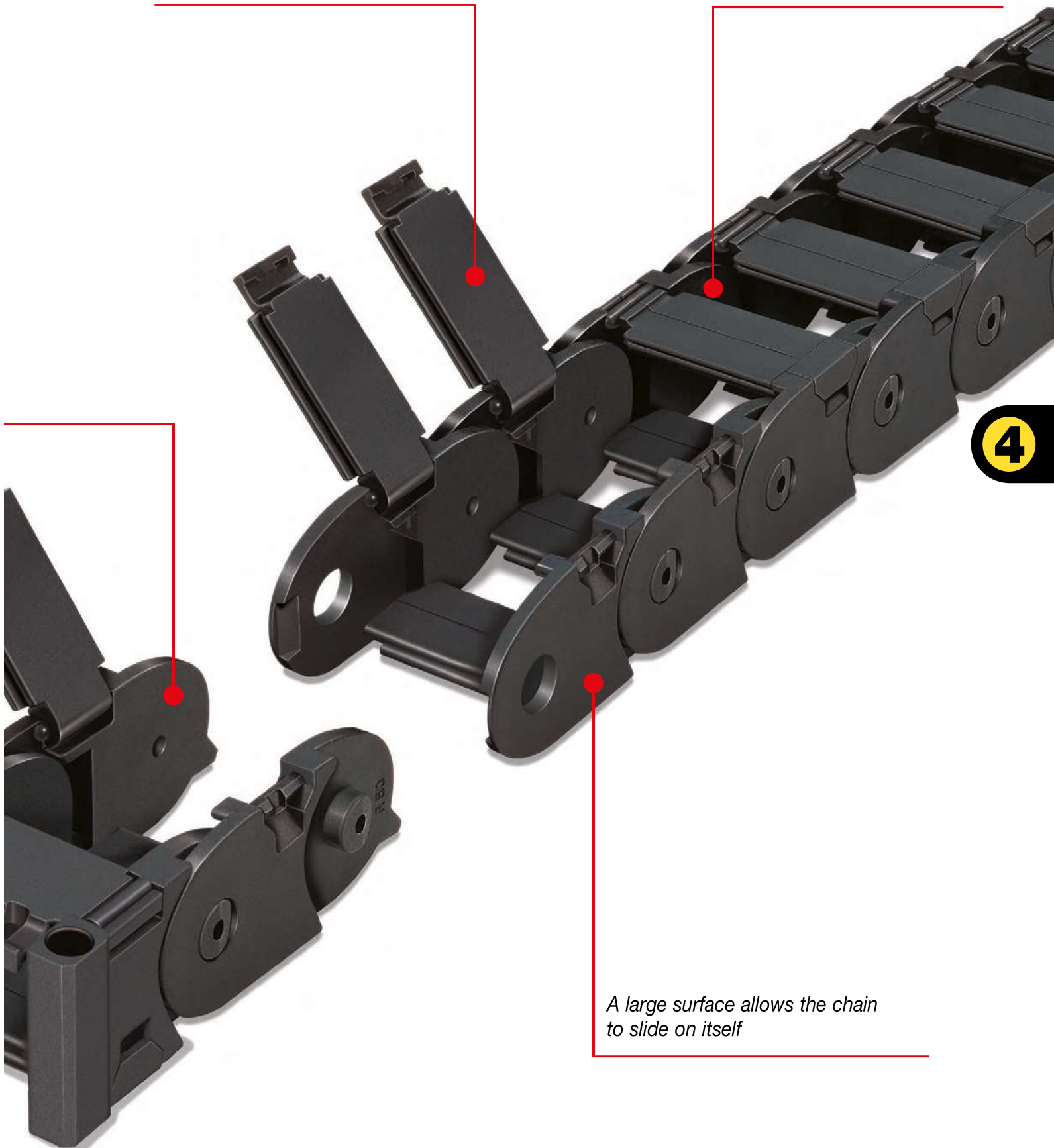
*Inner surface of chain
completely smooth*

*Steel or nylon end brackets with
tie-wrap clamp*



Cross pieces open and close with a "Snap-Fit" action

Nylon separator. Cables can be laid apart from each other



4

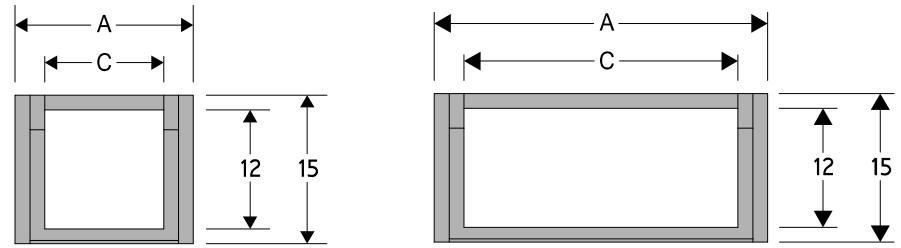
A large surface allows the chain to slide on itself

200 Nylon Cable Chain

Inner height (D) 12 mm

Single link construction with central anti-friction pivot.

Very smooth chain, particularly suitable for small automatic machines like printers, measurements equipment etc.



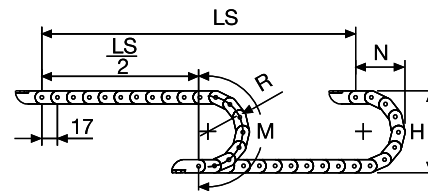
Technical characteristics when self-supported

Speed	10 m/s
Acceleration	50 m/s ²

For higher requirements please consult our technical dept.

A	B	C	D	R	Weight/m	Chain
mm	mm	mm	mm	mm	kg	Part Number
18	15	12	12	018-030-040	0,13	20012 □□□ *
31	15	25	12	018-030-040	0,14	20025 □□□ *
41	15	35	12	018-030-040	0,15	20035 □□□ *

*Complete the code by inserting the value of the radius (R): Ex. 20012 □ □ □ □



R	H	N	M
mm	mm	mm	mm
018	51	45	95
030	75	55	130
040	95	70	165

Length of chain (L)

Half travel distance ($\frac{LS}{2}$)
plus length of curve (M)

$$L = \frac{LS}{2} + M$$

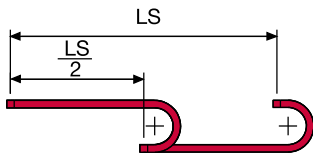
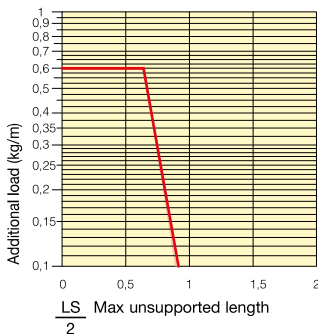


Serie Light

200
Nylon Cable Chain

Self-Supporting Capacity Diagram

The maximum length of the self-supporting capacity ($\frac{LS}{2}$) in relationship to the weight of the cables and hoses contained per linear metre.



The red marking in the diagram area considers the difference of weight between various widths of chain.

For applications with $\frac{LS}{2}$ and weights not included in the area of the diagram showing self-supporting capacity, verify the possible use of support rollers (see page 30).

End Brackets

The end brackets set allows the two ends of the chain to be attached to the equipment.

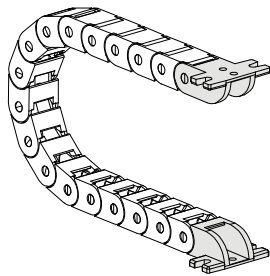
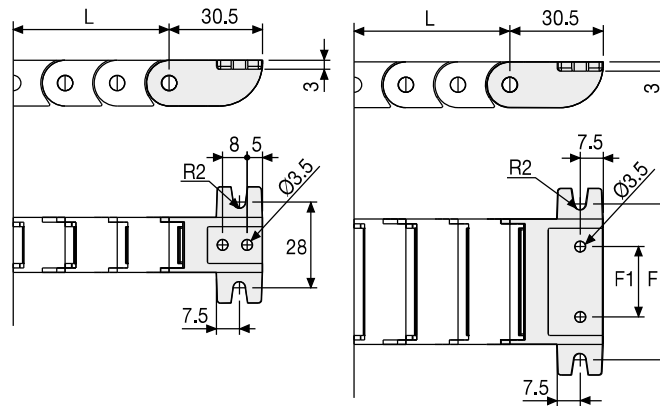


Fig. A
Chain fixed outside the radius. (Fig A)



Chain Type	F1 mm	F mm
20025...	13	41
20035...	23	51

Nylon Type Part Numbers

Complete Set Assembled	
Chain	End Brackets
Type	Set
20012...	AN20012KM□**
20025...	AN20025KM□**
20035...	AN20035KM□**

Complete Set Unassembled	
Chain	End Brackets
Type	Set
20012	AN20012K
20025...	AN20025K
20035...	AN20035K

** 1=Pos.1; 2=Pos.2; 3=Pos.3



For further information please consult Brevetti Stendalto's Technical Office

250L/LI/LE Nylon Cable Chain

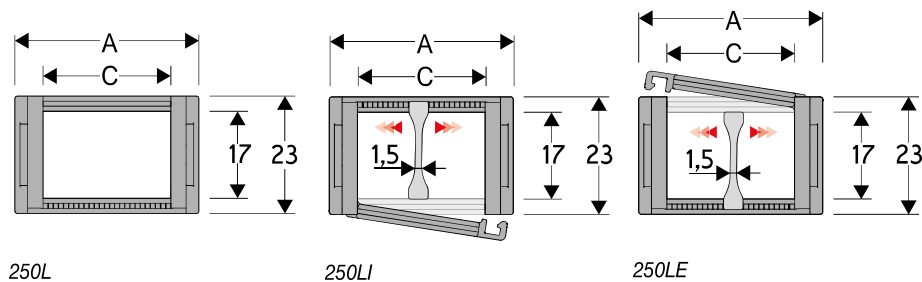
Inner height (D) 17 mm

Single link construction.

Non-opening version (250L).

Version with opening frames from inner radius (250LI) or from outer radius (250LE).

Vertical separators available.



Separator

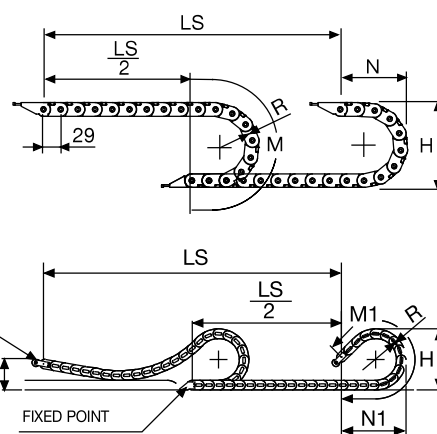
- Unassembled	Part.no S250L
- Assembled	Part.no S250LMC

Technical characteristics when self-supported

Speed	10 m/s
Acceleration	50 m/s ²

A	B	C	D	R	Weight/m	Chain
mm	mm	mm	mm	mm	kg	Part Number
26	23	15	17	028-038-045-060-075-100	0,34	250L(LI)(LE)015 □□□ *
36	23	25	17	028-038-045-060-075-100	0,37	250L(LI)(LE)025 □□□ *
46	23	35	17	028-038-045-060-075-100	0,40	250L(LI)(LE)035 □□□ *
61	23	50	17	028-038-045-060-075-100	0,43	250L(LI)(LE)050 □□□ *

*Complete the code by inserting the value of the radius (R): Ex. 250LI035 □ □ □



R	H	N	M	N1	M1
mm	mm	mm	mm	mm	mm
028	79	68,5	146	120	255
038	99	78,5	177	125	270
045	113	85,5	199	250	530
060	143	100,5	246	400	850
075	173	115,5	294	505	1085
100	223	140,5	372	650	1405

Length of chain (L)
Half travel distance ($\frac{LS}{2}$)
plus length of curve (M) o (M1)

$$L = \frac{LS}{2} + M \text{ o } M1$$

4

For higher requirements please consult our technical dept.

For sliding applications, technical data can slightly change according to frequency, added weight and environment.

SLIDING VERSION
to be ordered with pivoting end brackets set

250L

Non-opening
Sliding



250LI

Frames opening from inner radius
No Sliding



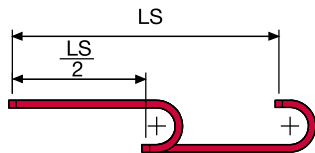
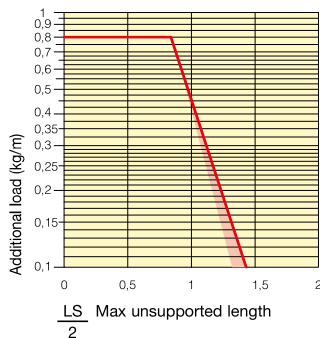
250LE

Frames opening from outer radius
No Sliding



Self-Supporting Capacity Diagram

The maximum length of the self-supporting capacity ($\frac{LS}{2}$) in relationship to the weight of the cables and hoses contained per linear metre.



The red marking in the diagram area considers the difference of weight between various widths of chain.

For applications with $\frac{LS}{2}$ and weights not included in the area of the diagram showing self-supporting capacity, verify the possible use of support rollers (see page 30).

End Brackets

The end brackets set allows the two ends of the chain to be attached to the equipment. End brackets are equipped with tie-wrap clamps.

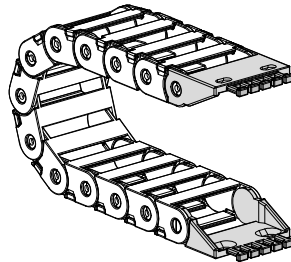
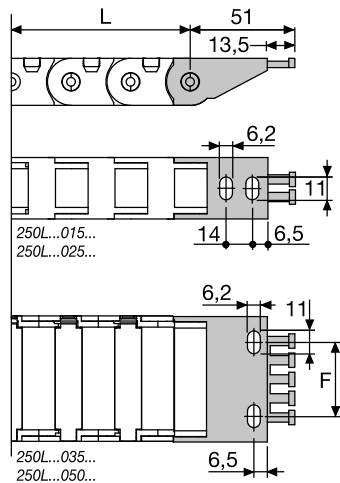


Fig. A
Chain fixed outside the radius. (Fig A)
See end brackets mounting variations page 31.



Chain Type	F1 mm
250L...035...	21
250L...050...	36

Nylon Type Part Numbers

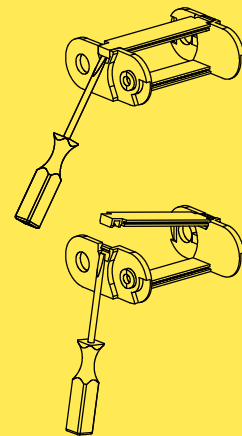
Complete Set Assembled	
Chain	End Brackets
Type	Set
250L	AN250L□□□*KM□**

Complete Set Unassembled	
Chain	End Brackets
Type	Set
250L	AN250L□□□*K□**

* Inner width (C)
** 1=Pos.1; 2=Pos.2; 3=Pos.3
5=Pos.5; 6=Pos.6

Serie Light

250L
250LI
250LE
Nylon Cable Chain



How to open the cover.



250L version only suitable to long travel distance. To choose the guide channel see page 56

For further information please consult Brevetti Stendalto's Technical Office



325LI/325LE Nylon Cable Chain with opening frames

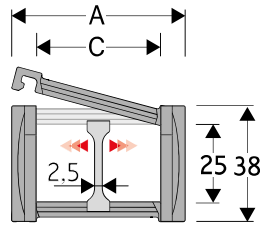
Inner height (D) 25 mm

Single link construction with central large anti-friction pivot, for high torsion and tensile resistance.

Frames opening from inner radius (325LI) or from outer radius (325LE).

Vertical separators

available. Used with guide channels, this chain is particularly suitable for long distance travel.



Separator

- Unassembled	Part.no S325L
- Assembled	Part.no S325LMC

Technical characteristics when self-supported

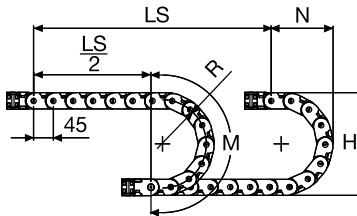
Speed	10 m/s
Acceleration	50 m/s ²

For higher requirements please consult our technical dept.

A	B	C	D	R	Weight/m	Chain
mm	mm	mm	mm	mm	kg	Part Number
57	38	40	25	050-060-075-100-125-150	0,78	325LI(LE)040 □□□ *
77	38	60	25	050-060-075-100-125-150	0,90	325LI(LE)060 □□□ *
93	38	76	25	050-060-075-100-125-150	1,00	325LI(LE)076 □□□ *
120	38	103	25	050-060-075-100-125-150	1,11	325LI(LE)103 □□□ *
142	38	125	25	050-060-075-100-125-150	1,20	325LI(LE)125 □□□ *

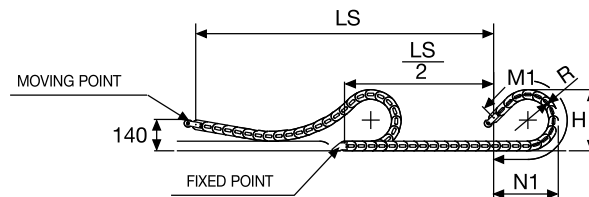
*Complete the code by inserting the value of the radius (R): Ex. 325LI040 □ □ □ □

4



R	H	N	M	N1	M1
mm	mm	mm	mm	mm	mm
050	138	115	250	145	300
060	158	125	280	155	335
075	188	140	325	185	420
100	238	165	405	275	635
125	288	190	485	360	855
150	338	215	565	445	1075

For sliding applications, technical data can slightly change according to frequency, added weight and environment.



SLIDING VERSION
to be ordered with pivoting end brackets set

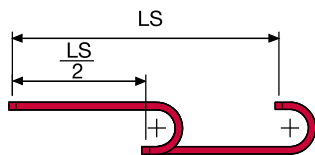
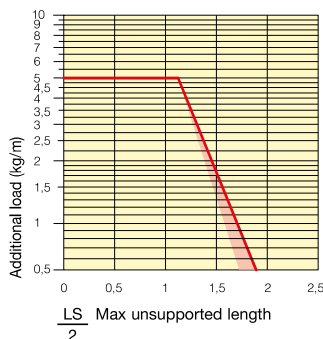
Length of chain (L)
Half travel distance ($\frac{LS}{2}$)
plus length of curve (M) or (M1)

$$L = \frac{LS}{2} + M \text{ or } M1$$



Self-Supporting Capacity Diagram

The maximum length of the self-supporting capacity ($\frac{LS}{2}$) in relationship to the weight of the cables and hoses contained per linear metre.



The red marking in the diagram area considers the difference of weight between various widths of chain.

For applications with $\frac{LS}{2}$ and weights not included in the area of the diagram showing self-supporting capacity, verify the possible use of support rollers (see page 30).

End Brackets

The end brackets set allows the two ends of the chain to be attached to the equipment. EBs tiewrap clamps and/or centre-distance reducers fully available under request.

Nylon Type

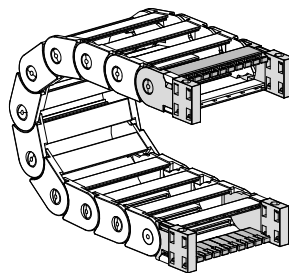


Fig. A
Chain fixed outside/inside the radius. (Fig A)

Bright Zinc Plated Steel Type***

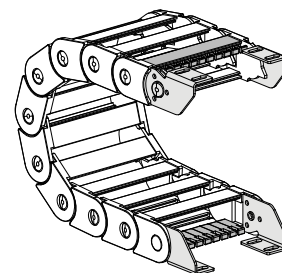
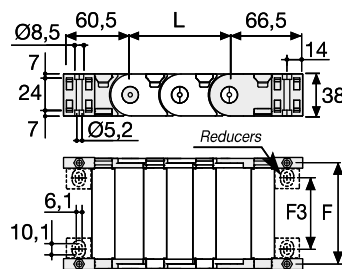


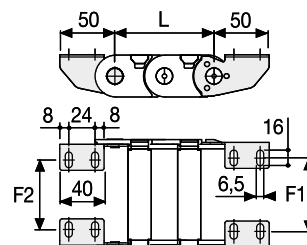
Fig. B
Chain fixed outside the radius. (Fig B)
See end brackets mounting variations page 31.



Chain type	F mm	F3 mm
325L...040	51	22
325L...060	71	42
325L...076	87	58
325L...103	114	85
325L...125	136	107

Nylon Type Part Numbers

Complete Set Assembled	Chain	End Brackets
Type		Set
325L...	AN325L□□□ *KM	
Complete Set Unassembled	Chain	End Brackets
Type		Set
325L...	AN325L□□□ *K	
Tiewrap Clamp	Part Number	
Assembled	CFC325L□□□ *KM	
Unassembled	CFC325L□□□ *K	
Centre-distance Reducers Set	Part Number	
Unassembled	AQF325K	



Chain Type	F2 mm	F1 mm
325L...040	22	25,5
325L...060	42	45,5
325L...076	58	61,5
325L...103	85	88,5
325L...125	107	110,5

Bright Zinc Plated Steel Type Part Numbers

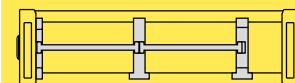
Complete Set Unassembled	Chain	End Brackets
Type		Set
325L...		A325LK
Tiewrap Clamp	Part Number	
Assembled	CFC325L□□□ *KM	
Unassembled	CFC325L□□□ *K	
* Inner width (C)		
*** Available on request in stainless steel		

Serie Light

325LI

325LE

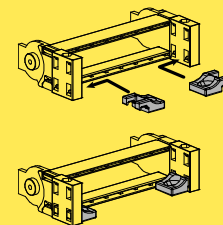
Nylon Cable Chain with opening frames



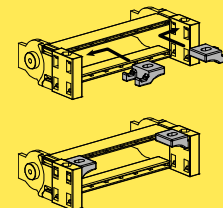
Separation System
To choose the separators, see page 216

Nylon end brackets centre-distance reducers

Reducers mounted on the inner radius



Reducers mounted on the outer radius



Suitable to long travel distance.
To choose the guide channel see page 58

For further information please consult Brevetti Stendalto's Technical Office



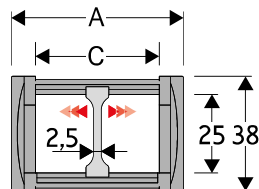
325L Nylon Cable Chain

Inner height (D) 25 mm

Single link construction with central large anti-friction pivot, for high torsion and tensile resistance.

Vertical separators available.

Used with guide channels, this chain is particularly suitable for long distance travel.



Separator

- Unassembled	Part.no S325L
- Assembled	Part.no S325LMC

Technical characteristics when self-supported

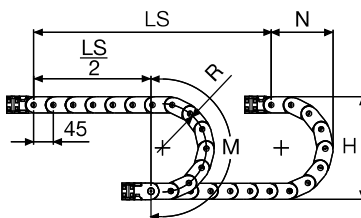
Speed	10 m/s
Acceleration	50 m/s ²

For higher requirements please consult our technical dept.

A	B	C	D	R	Weight/m	Chain
mm	mm	mm	mm	mm	kg	Part Number
57	38	40	25	050-060-075-100-125-150	0,90	325L040 □□□ *
77	38	60	25	050-060-075-100-125-150	1,00	325L060 □□□ *
93	38	76	25	050-060-075-100-125-150	1,11	325L076 □□□ *
120	38	103	25	050-060-075-100-125-150	1,22	325L103 □□□ *
142	38	125	25	050-060-075-100-125-150	1,31	325L125 □□□ *

*Complete the code by inserting the value of the radius (R): Ex. 325L040 □□□ □

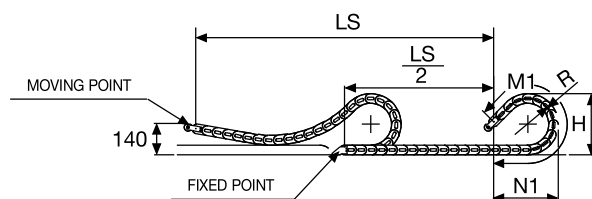
4



R	H	N	M	N1	M1
mm	mm	mm	mm	mm	mm
050	138	115	250	145	300
060	158	125	280	155	335
075	188	140	325	185	420
100	238	165	405	275	635
125	288	190	485	360	855
150	338	215	565	445	1075

For sliding applications, technical data can slightly change according to frequency, added weight and environment.

SLIDING VERSION
to be ordered with pivoting end brackets set



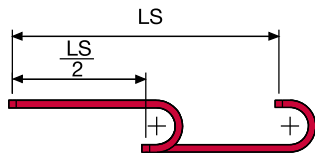
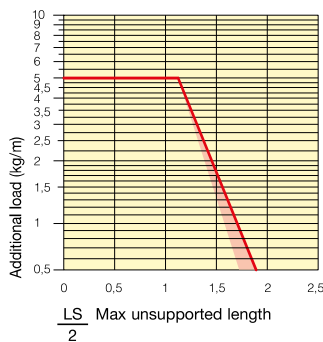
Length of chain (L)
Half travel distance ($\frac{LS}{2}$)
plus length of curve (M) or (M1)

$$L = \frac{LS}{2} + M \text{ or } M1$$



Self-Supporting Capacity Diagram

The maximum length of the self-supporting capacity ($\frac{LS}{2}$) in relationship to the weight of the cables and hoses contained per linear metre.



The red marking in the diagram area considers the difference of weight between various widths of chain.

For applications with $\frac{LS}{2}$ and weights not included in the area of the diagram showing self-supporting capacity, verify the possible use of support rollers (see page 30).

End Brackets

The end brackets set allows the two ends of the chain to be attached to the equipment. EBs tiewrap clamps and/or centre-distance reducers fully available under request.

Nylon Type

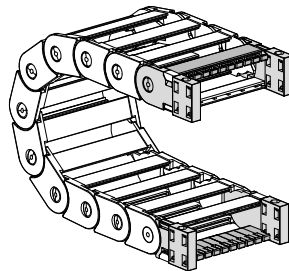


Fig. A Chain fixed outside/inside the radius. (Fig A)

Bright Zinc Plated Steel Type***

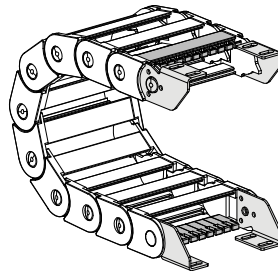
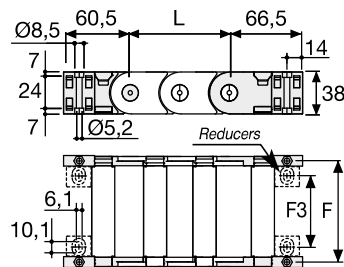


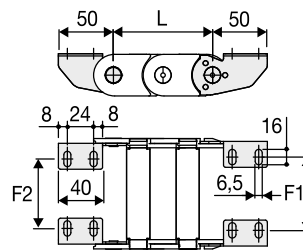
Fig. B Chain fixed outside or inside the radius. (Fig B)



Chain type	F mm	F3 mm
325L040	51	22
325L060	71	42
325L076	87	58
325L103	114	85
325L125	136	107

Nylon Type Part Numbers

Complete Set Assembled	Chain	End Brackets
Type	Set	
325L...	AN325L□□□ *KM	
Complete Set Unassembled	Chain	End Brackets
Type	Set	
325L...	AN325L□□□ *K	
Tiewrap Clamp	Part Number	
Assembled	CFC325L□□□ *KM	
Unassembled	CFC325L□□□ *K	
Centre-distance Reducers Set	Part Number	
Unassembled	AQF325K	



Chain Type	F2 mm	F1 mm
325L040	22	25,5
325L060	42	45,5
325L076	58	61,5
325L103	85	88,5
325L125	107	110,5

Bright Zinc Plated Steel Type Part Numbers

Complete Set Unassembled	Chain	End Brackets
Type	Set	
325L...	A325LK	
Tiewrap Clamp	Part Number	
Assembled	CFC325L□□□ *KM	
Unassembled	CFC325L□□□ *K	
* Inner width (C)		
*** Available on request in stainless steel		

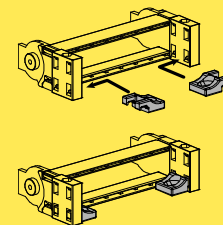
Serie Light

325L

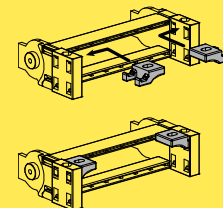
Nylon Cable Chain

Nylon end brackets centre-distance reducers

Reducers mounted on the inner radius



Reducers mounted on the outer radius



Suitable to long travel distance. To choose the guide channel see page 58

For further information please consult Brevetti Stendalto's Technical Office



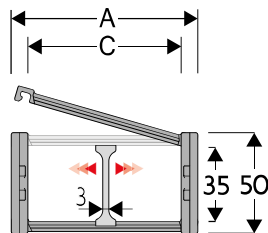
335LI Nylon Cable Chain

Inner height (D) 35 mm

Single-link construction with opening frames from inner radius.

Non-opening version (335L) and version with opening frames from outer radius (335LE) available on request.

Vertical separators available.



Separator

- Unassembled	Part.no S4353
- Assembled	Part.no S4353MC

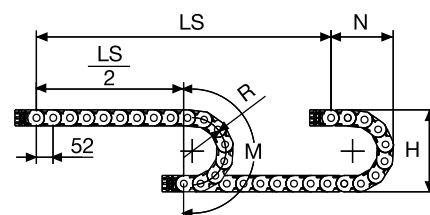
Technical characteristics when self-supported

Speed	10 m/s
Acceleration	50 m/s ²

For higher requirements please consult our technical dept.

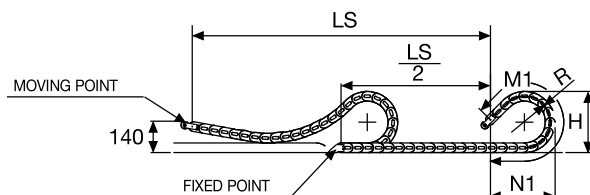
A	B	C	D	R	Weight/m	Chain
mm	mm	mm	mm	mm	kg	Part Number
56,5	50	40	35	065-075-100-125-150-200	1,08	335L(LI)(LE)040 □□□ *
66,5	50	50	35	065-075-100-125-150-200	1,12	335L(LI)(LE)050 □□□ *
76,5	50	60	35	065-075-100-125-150-200	1,16	335L(LI)(LE)060 □□□ *
92,5	50	76	35	065-075-100-125-150-200	1,22	335L(LI)(LE)076 □□□ *
119,5	50	103	35	065-075-100-125-150-200	1,32	335L(LI)(LE)103 □□□ *
141,5	50	125	35	065-075-100-125-150-200	1,40	335L(LI)(LE)125 □□□ *
166,5	50	150	35	065-075-100-125-150-200	1,50	335L(LI)(LE)150 □□□ *

*Complete the code by inserting the value of the radius (R): Ex. 335L(LI)(LE)040 □ □ □ □



R	H	N	M	N1	M1
mm	mm	mm	mm	mm	mm
065	180	169	310	220	465
075	200	179	340	260	560
100	250	204	420	350	790
125	300	229	500	445	1025
150	350	254	580	540	1260
200	450	304	735	730	1725

For sliding applications, technical data can slightly change according to frequency, added weight and environment.



Length of chain (L)
Half travel distance ($\frac{LS}{2}$)
plus length of curve (M) or (M1)

$$L = \frac{LS}{2} + M \text{ or } M1$$

SLIDING VERSION
to be ordered with pivoting end brackets set

335L

Non-opening
(available on request)



335LI

Frames opening from inner radius



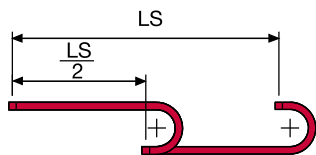
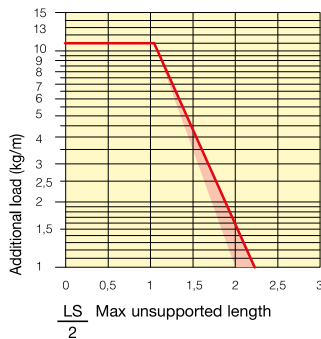
335LE

Frames opening from outer radius
(available on request)



Self-Supporting Capacity Diagram

The maximum length of the self-supporting capacity ($\frac{LS}{2}$) in relationship to the weight of the cables and hoses contained per linear metre.



The red marking in the diagram area considers the difference of weight between various widths of chain.

For applications with $\frac{LS}{2}$ and weights not included in the area of the diagram showing self-supporting capacity, verify the possible use of support rollers (see page 30).

End Brackets

The end brackets set allows the two ends of the chain to be attached to the equipment. Set complete with tie-wrap clamps available on request.

Nylon Type

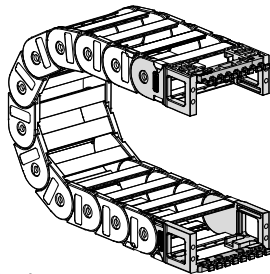
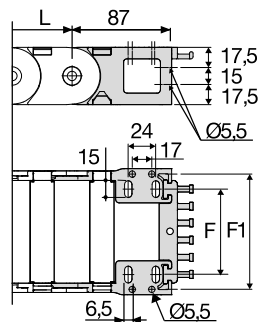


Fig. A
The chain can be fixed frontally, inner or outer radius. (Fig A)



Chain type	F mm	F1 mm
335L...040	25	51
335L...050	35	61
335L...060	45	71
335L...076	61	87
335L...103	88	114
335L...125	110	136
335L...150	135	161

Nylon Type Part Numbers

Complete Set Assembled Chain Type	End Brackets Set
335 AN335L□□□*KM□**	

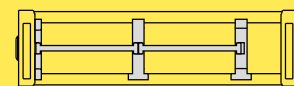
Complete Set Unassembled Chain Type	End Brackets Set
335 AN335L□□□*K	

Tiewrap Clamp	Part Number
335	PFN335□□□*

* Inner width (C)
** 1=Pos.1; 2=Pos.2; 3=Pos.3

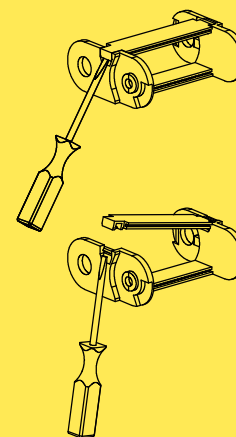
Serie Light

335LI Nylon Cable Chain



Separation System
To choose the separators, see page 216

How to open the cover.



Suitable to long travel distance.
To choose the guide channel see page 58

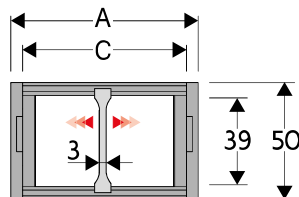
For further information please consult Brevetti Stendato's Technical Office



339 Nylon Cable Chain

Inner height (D) 39 mm

Single link construction with central large anti-friction pivot, for high torsion and tensile resistance. Non-opening version. Short pitch and very small bending radius design makes these chains suitable for applications with the smallest available spaces. These series can be easily used for long distance travels with the corresponding guide channels.



Separator

- Unassembled	Part.no S339
- Assembled	Part.no S339MC

Technical characteristics when self-supported

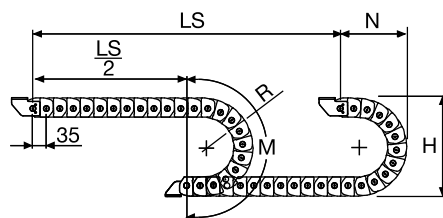
Speed	10 m/s
Acceleration	50 m/s ²

For higher requirements please consult our technical dept.

A	B	C	D	R	Weight/m	Chain
mm	mm	mm	mm	mm	kg	Part Number
60	50	40	39	050-075-100	1,48	339040 □□□ *
80	50	60	39	050-075-100	1,48	339060 □□□ *
96	50	76	39	050-075-100	1,65	339076 □□□ *

*Complete the code by inserting the value of the radius (R): Ex. 339076 □□□□

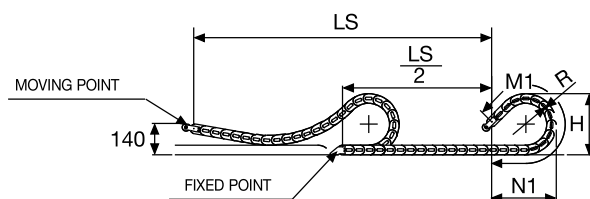
4



R	H	N	M	N1	M1
mm	mm	mm	mm	mm	mm
050	156	115	230	140	275
075	206	135	305	215	470
100	256	160	385	310	705

For sliding applications, technical data can slightly change according to frequency, added weight and environment.

SLIDING VERSION
to be ordered with pivoting end brackets set



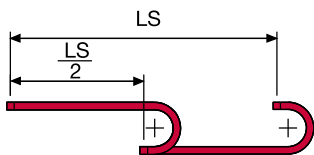
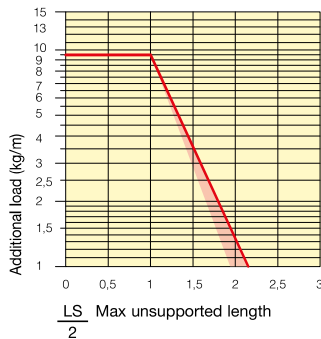
Length of chain (L)
Half travel distance ($\frac{LS}{2}$)
plus length of curve (M) or (M1)

$$L = \frac{LS}{2} + M \text{ or } M1$$



Self-Supporting Capacity Diagram

The maximum length of the self-supporting capacity ($\frac{LS}{2}$) in relationship to the weight of the cables and hoses contained per linear metre.



The red marking in the diagram area considers the difference of weight between various widths of chain.

For applications with $\frac{LS}{2}$ and weights not included in the area of the diagram showing self-supporting capacity, verify the possible use of support rollers (see page 30).

Bright Zinc Plated Steel End Brackets***

The end brackets set allows the two ends of the chain to be attached to the equipment.

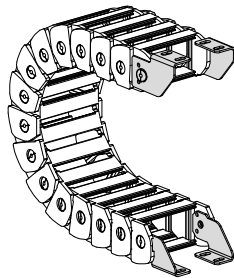
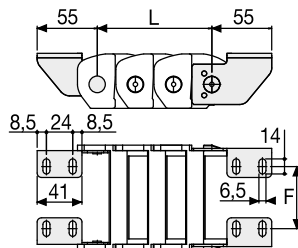


Fig. A
Chain fixed outside the radius. (Fig A)
See end brackets mounting variations page 31



Chain Type	F mm
339040	21
339060	41
339076	57

Bright Zinc Plated Steel Type Part Numbers

Complete Set Unassembled Chain Type	End Brackets Set
339...	A339K

*** Available on request in stainless steel

Serie Light

339

Nylon Cable Chain



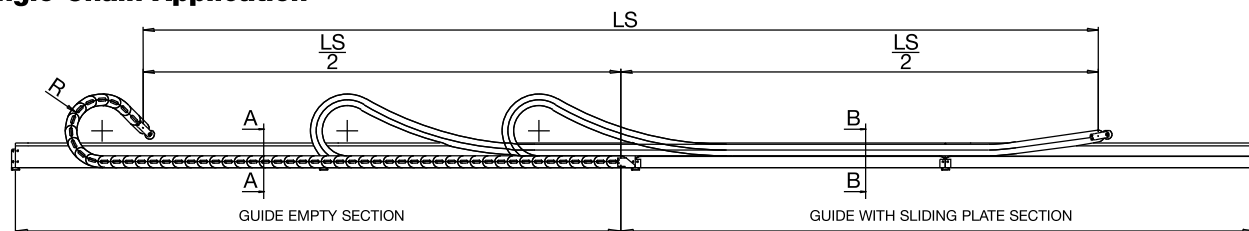
Suitable to long travel distance.
To choose the guide channel see page 58

For further information please consult Brevetti Stendalto's Technical Office

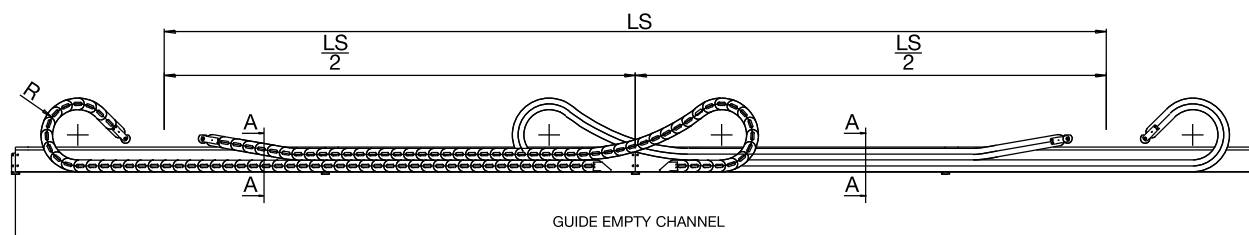
Guide Channel 250L-300

Special channel guide allows the use of the chain for long travel distance. Available in galvanised steel and, on request, in stainless steel.

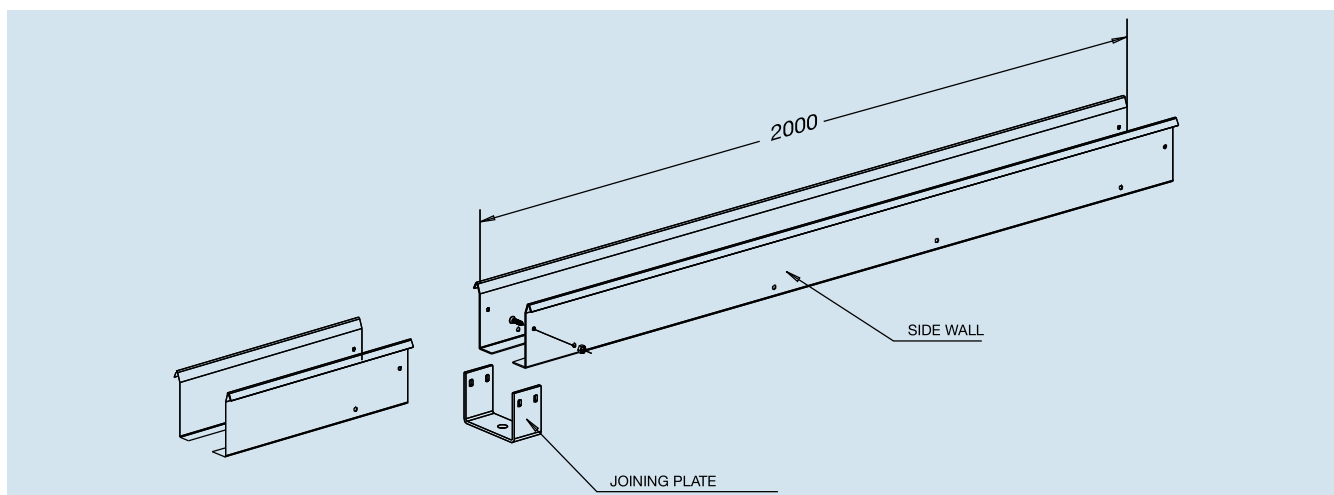
Single Chain Application



Double Chain Application

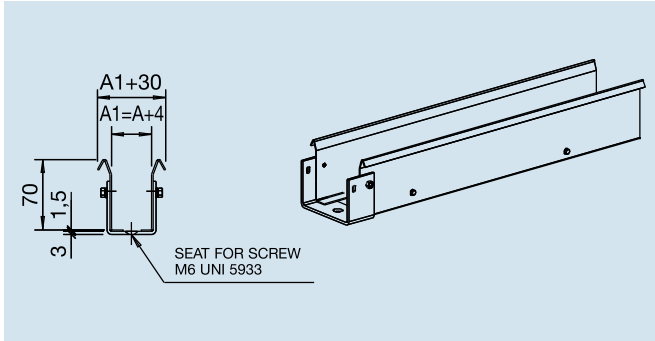


Channel guide is available in kit form composed of:
side walls 2 m standard length
joining plates
fixing screws



Guide Empty Section

Section A-A



Part Number

CS250...

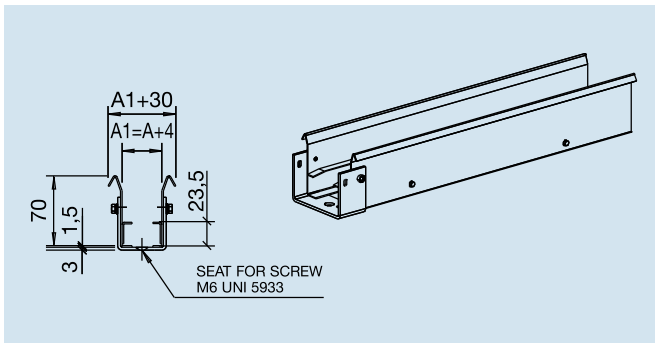
How to order

Chain part number **250L035060**

Guide channel
part number **CS250L035**

Guide Sliding Plate Section

Section B-B



Part Number

CA250...

How to order

Chain part number **250L035060**

Guide channel
part number **CA250L035**

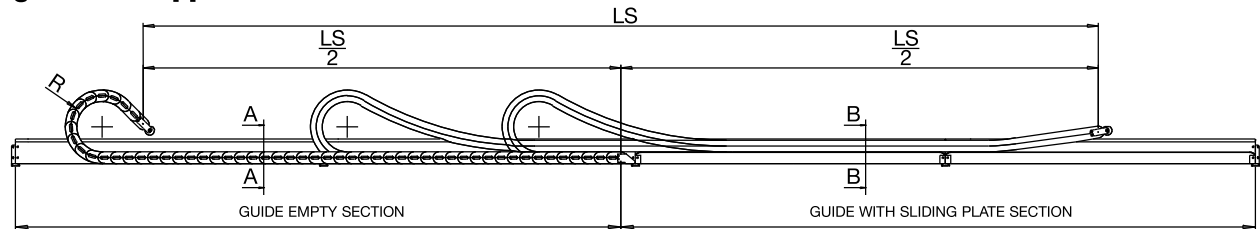


Guide Channel

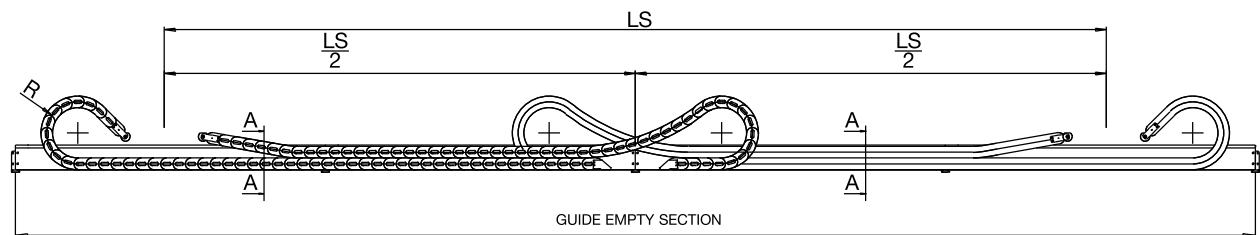
325L-325LI/LE/PI-335L/LI/LE-339

Special channel guide allows the use of the chain for long travel distance. Available in galvanised steel and, on request, in stainless steel.

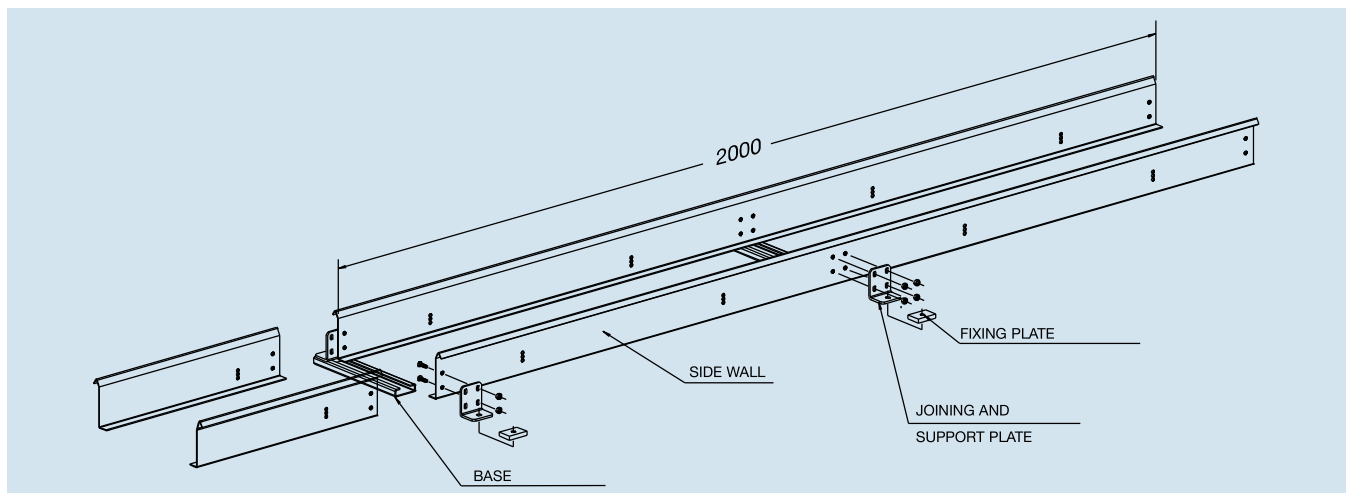
Single Chain Application



Double Chain Application

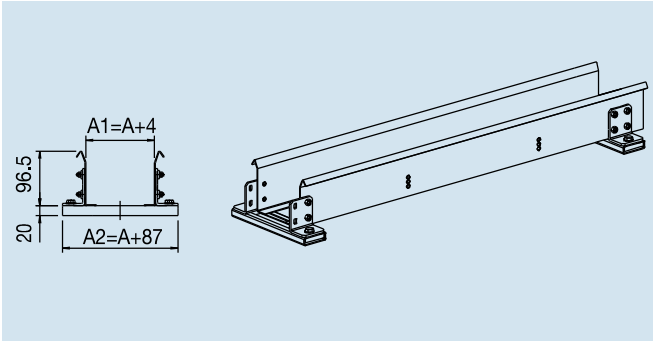


Channel guide is available in kit form composed of:
side walls 2 m standard length
joining plates
fixing screws



Guide Empty Section

Section A-A



Part Number

CS325L-LI-LE

How to order

Chain part number **325L040050**

Chain part number **325LI040050**

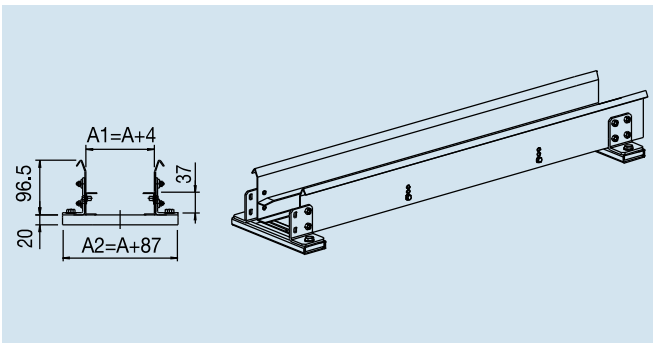
Chain part number **325LE040050**

Guide channel

part number **CS325L040**

Guide Sliding Plate Section 325...

Section B-B



Part Number

CA325L-LI-LE

How to order

Chain part number **325L040050**

Chain part number **325LI040050**

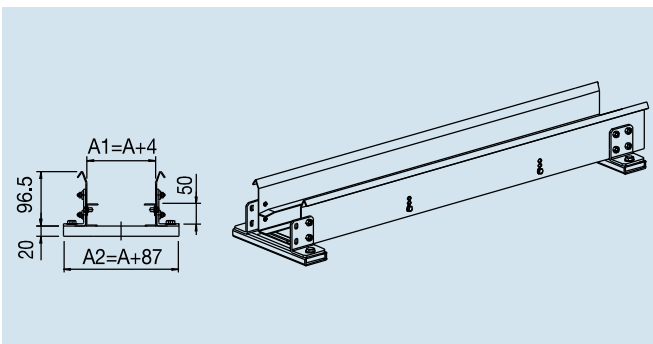
Chain part number **325LE040050**

Guide channel

part number **CA325040**

Guide Sliding Plate Section 335 - 339

Section B-B



Part Number

CA339...

How to order

Chain part number **339040050**

Guide channel

part number **CA339040**

