

Nylon Cable Chains Robot Series

MFC65100	page 190
MRS	page 198
495 Series	page 206
500 Series	page 208
510TN Series	page 210
515TN Series	page 210
545 Series	page 212
599 Series	page 214



Complete equipment for industrial robot



Mounting brackets

Axis 3-6
MRS (Multiflex Retraction System)

4

Axis 2
Multiflex chain or flexible hose

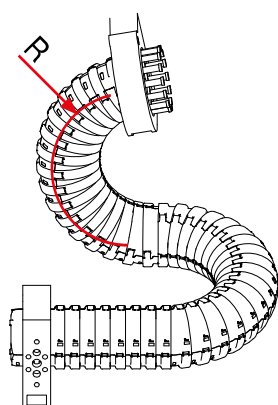
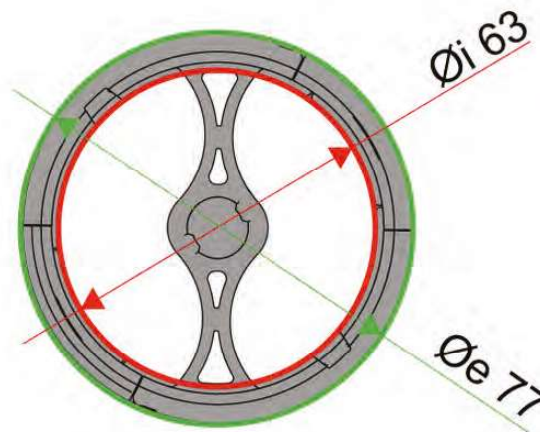
Axis 7
Cable chain (H Series)

Axis 1
Rotating cable chain (Robot Series)

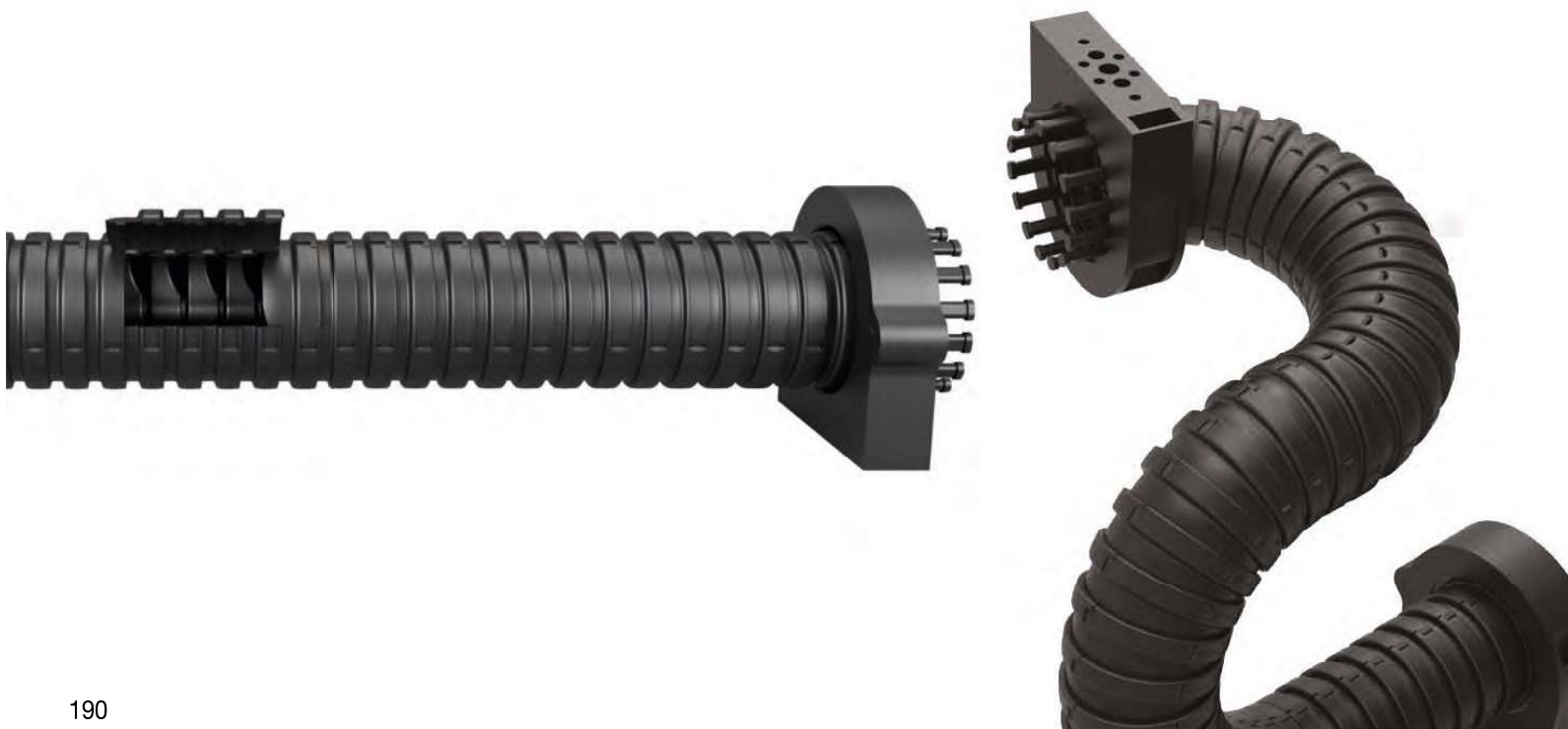
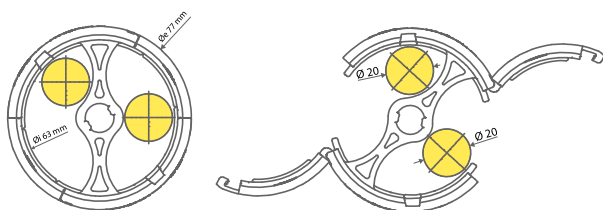
MFC65100

MULTIFLEX chain for 3D movements with opening frames

Chain for multi-axis movement, for application on robots and new-generation work centers, fully-enclosed, with opening frames.



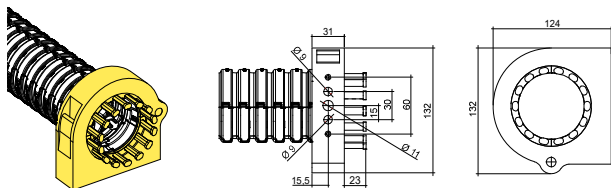
Inner diameter mm	Outer diameter mm	Minimum bend radius mm	Pitch mm	No. of links per meter	Weight kg/m	Torsion per meter	Lodged utilities
63	77	100	18.5	54	1.6	$\sim \pm 540^\circ$	max. $\text{Ø} 20\text{ mm}$



Fixation accessories

Fixation brackets with clamping combs

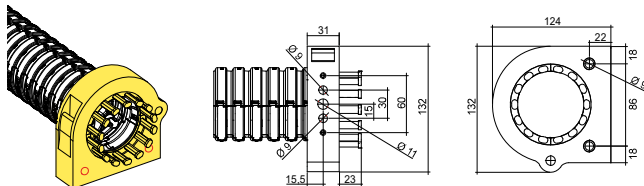
Standard bracket set with clamping combs.
This product is used at the extremities of MULTIFLEX chain.



Type of latch	Part No.
Nylon	AMF65K01
Zinc-plated steel	AMF65M01

Fixation brackets with clamping combs Frontal fixation

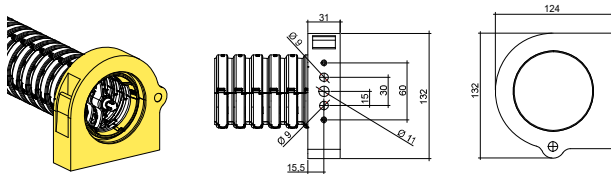
Standard bracket set with clamping combs, for frontal fixation.
This product is used at the extremities of MULTIFLEX chain.



Type of latch	Part No.
Nylon	AMF65K01F
Zinc-plated steel	AMF65M01F

End and intermediate fixation brackets

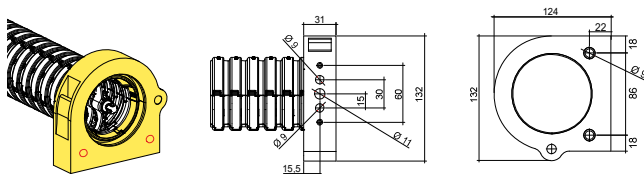
Standard bracket set without clamping combs.
This product can be used anywhere on MULTIFLEX chain.



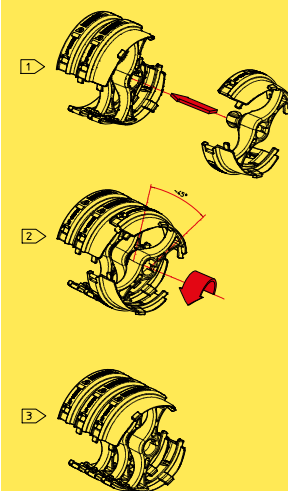
Type of latch	Part No.
Nylon	AMF65K02
Zinc-plated steel	AMF65M02

End and intermediate fixation brackets Frontal fixation

Standard bracket set without clamping combs, for frontal fixation.
This product can be used anywhere on MULTIFLEX chain.



Type of latch	Part No.
Nylon	AMF65K02F
Zinc-plated steel	AMF65M02F



Assembly instructions



MFC65100

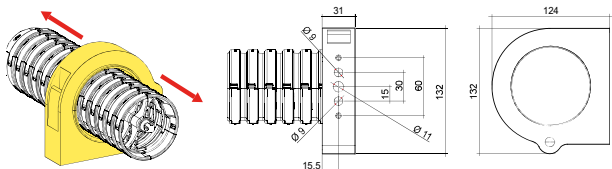
MULTIFLEX chain for 3D movements with opening frames

Protection and guiding accessories

Sliding fixation brackets

Sliding bracket set.

This product can be used anywhere on MULTIFLEX chain.

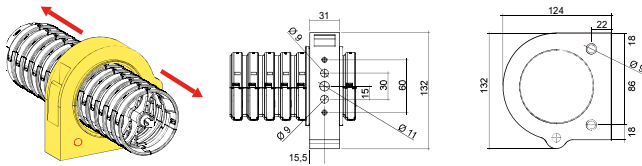


Type of latch	Part No.
Nylon	AMF65K03
Zinc-plated steel	AMF65M03

Sliding fixation brackets Frontal fixation

Sliding bracket set, for frontal fixation.

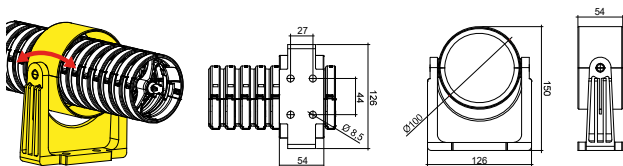
This product can be used anywhere on MULTIFLEX chain.



Type of latch	Part No.
Nylon	AMF65K03F
Zinc-plated steel	AMF65M03F

Oscillating guiding support with ring

Allows to guide passage of chain, maintaining all degrees of liberty of movement.

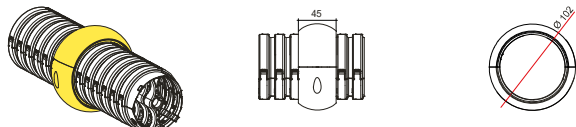


Part No.
ASO65

Protection ring

Bumper and rotating protection against hard shocks and extreme friction.

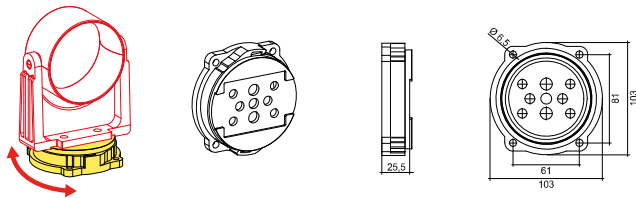
This product can be used anywhere on MULTIFLEX chain.



Part No.
PCM65

Rotating base

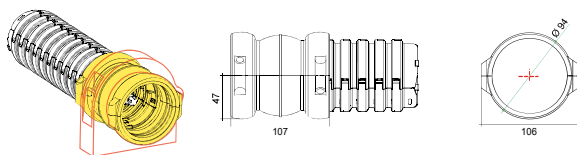
Universal rotating flange, usable with any fixation device. Allows rotation of fixation brackets and pivoting forks.



Part No.
PADFB-70

Connection jaw

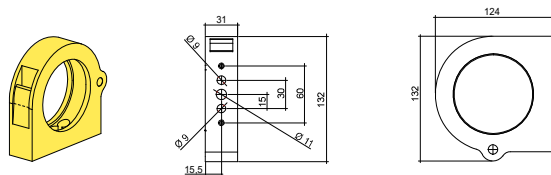
Connector between MULTIFLEX chain and corrugated sheath NW70, or between chain and multi-holed rubber seal. To combine with one fixation brackets type PASSB-70K or PASSB-70M.



Part No.
PAVGB-70/8529

Fixation bracket

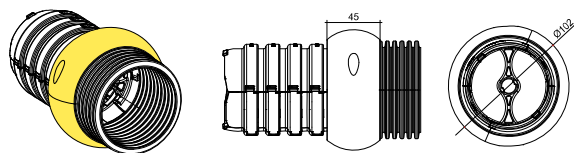
To combine with Part No. PAGB-70/8529.



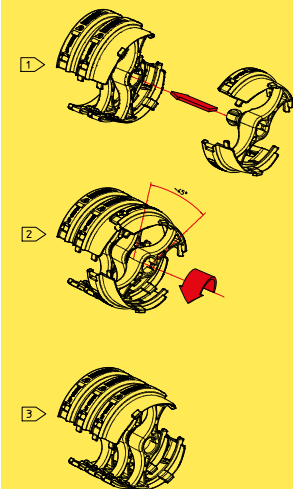
Type of latch	Part No.
Nylon	PASSB-70K
Zinc-plated steel	PASSB-70M

Connection ring

Connector between MULTIFLEX chain and corrugated sheath NW70.



Part No.
GJM65



Assembly instructions



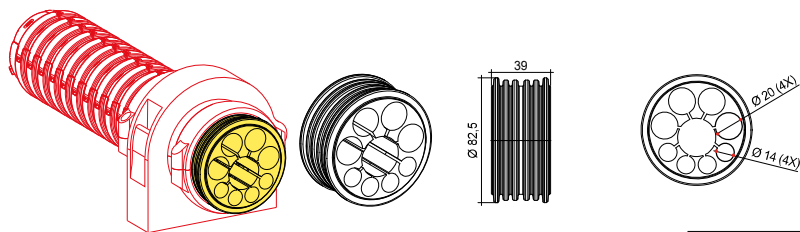
MFC65100

MULTIFLEX chain for 3D movements with opening frames

Rubber seals and end caps

Holed end rubber seals

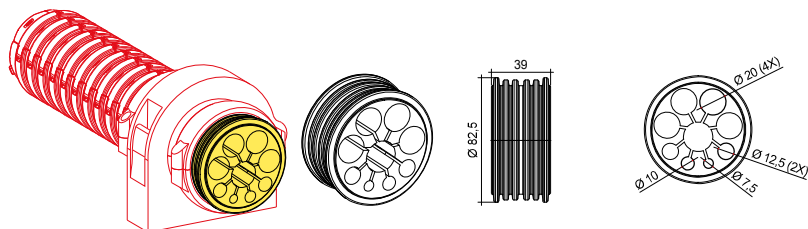
Multi-hole rubber seal $\varnothing 14$ mm (4x) - $\varnothing 20$ mm (4x)



Part No.
TKKSB-70B01

Holed end rubber seals

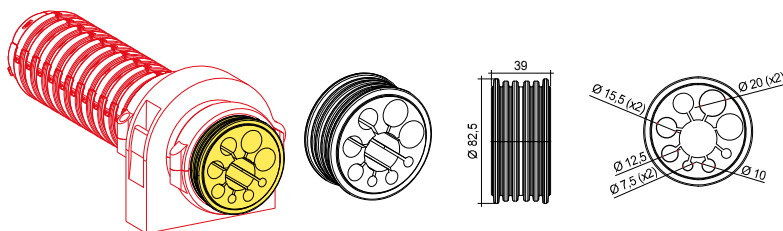
Multi-hole rubber seal $\varnothing 7.5$ mm (1x) - $\varnothing 10$ mm (1x) - $\varnothing 12.5$ mm (2x) - $\varnothing 20$ mm (4x)



Part No.
TKKSB-70B02

Holed end rubber seals

Multi-hole rubber seal $\varnothing 12.5$ mm (1x) - $\varnothing 14$ mm (1x) - $\varnothing 15.5$ mm (2x) - $\varnothing 20$ mm (3x)



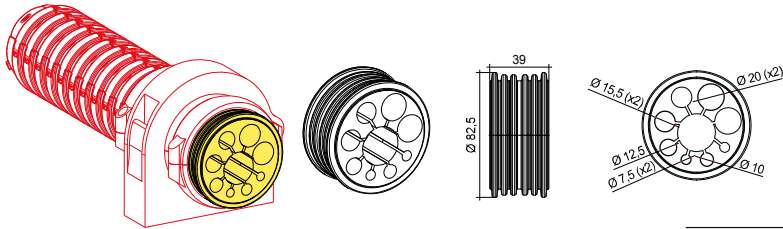
Part No.
TKKSB-70B03

Serie Robot

MULTIFLEX
3D ROBOTIC CHAIN

Holed end rubber seals

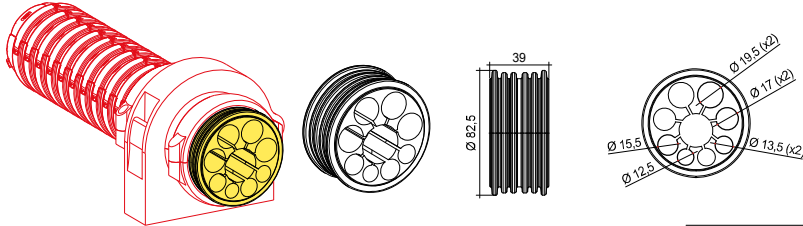
Multi-hole rubber seal \varnothing 7.5 mm (2x) - \varnothing 10 mm (1x) - \varnothing 12.5 mm (1x) - \varnothing 15.5 mm (1x) - \varnothing 20 mm (2x)



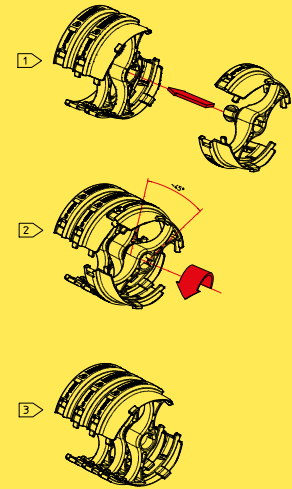
Part No.
TKKSB-70B04

Holed end rubber seals

Multi-hole rubber seal \varnothing 12.5 mm (1x) - \varnothing 14 mm (2x) - \varnothing 17 mm (1x) - \varnothing 18 mm (3x) - \varnothing 19 mm (1x)



Part No.
TKKSB-70B05



Assembly instructions

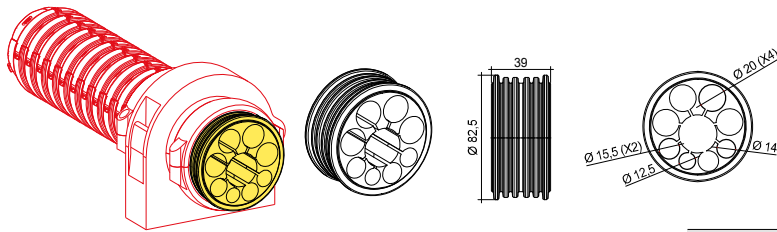
4

MFC65100

MULTIFLEX chain for 3D movements with opening frames

Holed end rubber seals

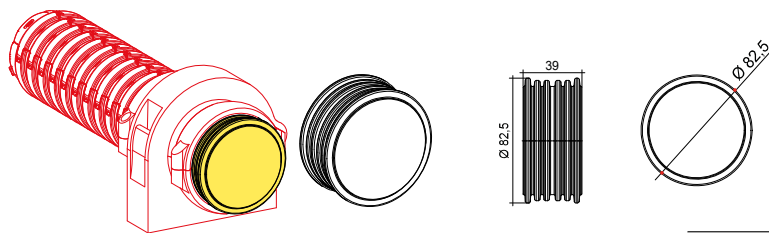
Multi-hole rubber seal \varnothing 12.5 mm (1x) - \varnothing 15.5 mm (2x) - \varnothing 14 mm (1x) - \varnothing 20 mm (4x)



Part No.
TKKSB-70B07

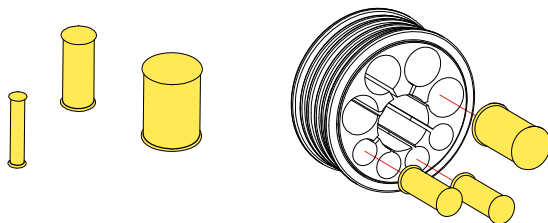
Blind end rubber seal

4



Part No.
TKKSB70BLIND

End caps



Part No.	Item No.
Cap 8	
\varnothing 10 mm	TKBSB-10
\varnothing 12.5 mm	TKBSB-12.5
\varnothing 14 mm	TKBSB-14
\varnothing 15.5 mm	TKBSB-15.5
\varnothing 19.5 mm	TKBSB-19.5

Kevlar protective coat

Non-opening Kevlar protective coat for dynamic applications

Coat made of Kevlar aramidic fiber on one side; the other side features an aluminum layer in relief that covers the outer surface and reflects up to 95% of I thermal radiations.

Protects against weld spurts up to 540 °C.

Kevlar tissue offers good resistance to oils, greases, acids, bases, and solvents in low concentration.

The reflecting surface offers good resistance to UV rays as well.

Technical data

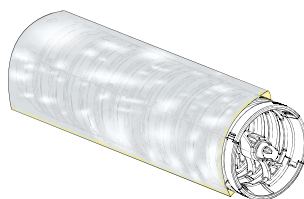
Thickness: 0.35 mm

Specific weight: 1.44 / 1.45 g/cm³

Pulling resistance: 2500 N/50 mm

Flammability: non-flammable (up to DIN 4102B1)

Part No.	
Length	Item No.
500 mm	KA04S08005
1000 mm	KA04S08010
1500 mm	KA04S08015
2000 mm	KA04S08020



Velcro opening Kevlar protective coat for static applications

Coat made of Kevlar aramidic fiber on one side; the other side features an aluminum layer in relief that covers the outer surface and reflects up to 95% of I thermal radiations.

Protects against weld spurts up to 540 °C.

Kevlar tissue offers good resistance to oils, greases, acids, bases, and solvents in low concentration.

The reflecting surface offers good resistance to UV rays as well.

Technical data

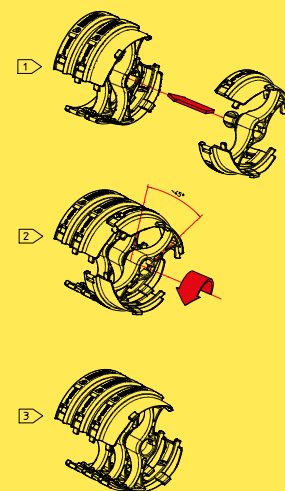
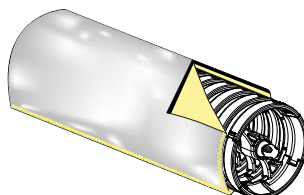
Thickness: 0.35 mm

Specific weight: 1.44 / 1.45 g/cm³

Pulling resistance: 2500 N/50 mm

Flammability: non-flammable (up to DIN 4102B1)

Part No.	
Length	Item No.
500 mm	KA04S080G05
1000 mm	KA04S080G10
1500 mm	KA04S080G15
2000 mm	KA04S080G20



Assembly instructions

MRS Dresspack system for robot

Spring-driven retraction dresspack system for industrial robots that features 3D chain MULTIFLEX or polyamide conduits, accessories, and specific installation brackets.

Multiflex Retraction System	Multiflex or Conduits	Dimension	Left or Right
MRS	□	□□	□

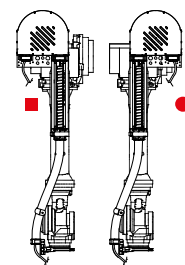
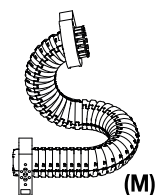
Part Number composed as follows:
e.g. **MRS** M 65 R

(M) Multiflex
(C) Conduits

Multiflex
65

(L) Left
(R) Right

Conduits
Ø 29
Ø 36
Ø 52
Ø 70



Left routing of utilities at the fixed end
Right routing of utilities at the fixed end



Available sizes

Serie Robot

NRS
MULTIPLEX RETRACTION SYSTEM

MRSC29
Dresspack with corrugated conduits NW29



MRSC36
Dresspack with corrugated conduits NW36



MRSC52*
Dresspack with corrugated conduits NW52



MRSC70*
Dresspack with corrugated conduits NW70



MRS65*
Dresspack with Multiflex chain MFC65100



*Caseless version available

MRS Dresspack system for robot

Installation Brackets for MRS C29 / C36

For all widely used drill pattern, custom solution on request.

	Part number	Robot OEM	Robot model	Weight kg
	SAMRS10.001	FANUC	M70IC50 M70IC70	1.3
	SAMRS10.002	FANUC	R-2000iC R-2000iB R-2000iA S430	0.4
	SAMRS10.003	KUKA	KR12 KR16 KR20_R1810	0.6
	SAMRS10.004	ABB	IRB2600	2.6
	SAMRS20.004	ABB	IRB6640 IRB6700 IRB6660 IRB8700	2.4
	SAMRS10.005	ABB	IRB1600	2.4
	SAMRS20.005	ABB	IRB4600	3.1
	SAMRS30.003	ABB	IRB6620	1.9
	SAMRS20.007	KUKA	KR420 KR3100 ultra KR120 pro KR90 KR40PA KR150	2.4
	SAMRS10.006	FANUC	M-20iA/20M M-20iA/35M M-20iB/25	0.35

4

	Part number	Robot OEM	Robot model	Weight kg
	SAMRS10.007	FANUC	M-900iB / 280L R1000iA/80F R2000i C/270F	0.8
	SAMRS10.011	EPSON	C8-A1401S	0.3
	SAMRS10.008	COMAU	NS-16	0.4
	SAMRS10.009	KAWASAKI	RS30N / 50N / 80N	1.1
	SAMRS20.002	COMAU	NJ-165 NJ-110 NJ-40 NJ-16	2.0
	SAMRS10.012	YASKAWA	GP180 GP200R	0.7
	SAMRS20.011	ABB	IRB2400_m2000	1,6
	SAMRS20.009	FANUC	M70iC20L M20iA M20iC M20iD	1.7
	SAMRS10.013	KUKA	KR20_R3100 KR50 KR70	2.1
	SAMRS10.014	DENSO	VM60B1 /-V/RC8A	0.4
	SAMRS10.015	HYUNDAI	HH020	0.6
	SAMRS10.016	ABB	IRB260	1.4

Brackets for robots not listed may be manufactured upon request

MRS Dresspack system for robot

Installation Brackets for MRS C52 / M65 / C70

For all widely used drill pattern, custom solution on request.

	Part number	Robot OEM	Robot model	Weight kg
	SAMRS30.001	FANUC	R-2000iC125L R-2000iC165F/210F R-2000iB R-2000iA S430	2.2
		YASKAWA	MH225 MPL100 II GP180	
	SAMRS30.007	FANUC	R-1000iA	2.5
	SAMRS30.006	FANUC	R-2000iC210L	2.7
	SAMRS10.001	FANUC	M70iC50 M70iC70	1.3
	SAMRS10.005	ABB	IRB1600	2.4
(Not required)	-	YASKAWA	HP20	-
	SAMRS10.004	ABB	IRB2600	2.6
	SAMRS20.005	ABB	IRB4600	3.1
	SAMRS20.006	HYUNDAI	HS 200 HX400	0.2
	SAMRS20.012	HYUNDAI	HS160L	0.2
	SAMRS20.007	KUKA	KR3100 ultra KR120 KR90 KR150 KR420	2.4
	SAMRS20.008	FANUC	M-900iB/700	2.8

4

	Part number	Robot OEM	Robot model	Weight kg
	SAMRS30.002	FANUC	M-900iB/360	2.4
	SAMRS20.004	ABB	IRB6640 IRB6700 IRB6660 IRB8700	2.4
	SAMRS30.003	ABB	IRB6620	1.9
	SAMRS30.004	FANUC	M-900iA /400L	3.0
	SAMRS30.005	KUKA	KR160	1.1
	SAMRS20.003	KAWASAKI	ZX300S ZX165U	2.9
	SAMRS20.002	COMAU	NJ-165 NJ-110 NJ-40 NJ-16	2.0
	SAMRS20.009	FANUC	M70iC20L	1.7
	SAMRS10.009	KAWASAKI	RS30N / 50N / 80N	1.1
	SAMRS20.010	ABB	IRB7600-400	2.7
	SAMRS20.011	ABB	IRB2400_m2000	1.6
	SAMRS10.013	KUKA	KR50 KR70	2.1

Brackets for robots not listed may be manufactured upon request

MRS Dresspack system for robot

Brackets for axis no. 6 (Tennis Racket)

Part number	Robot model	With recess	A (Ø)	B (Ø)	Weight (KG)
TRMRS00.001	COMAU NJ-165	no	102	/	2.9
TRMRS00.002	FANUC R-2000iB	yes	165	160	2.6
	FANUC R-2000iA				
	FANUC R-2000iC/125L				
	FANUC M-410iC				
	KAWASAKI ZX165U				
TRMRS00.003	FANUC M-900iB/700	no	275	/	3.7
TRMRS00.004	FANUC M-900iB/360	no	220	/	2.9
	FANUC M-900iB/280L				
	KUKA KR420				
TRMRS00.005	ABB IRB 2400	yes	80	63	1.2
	ABB IRB 2600				
	ABB IRB 4600 20				
	KUKA KR20				
TRMRS00.006	FANUC M-710iC 45/50/70	no	124	/	2
TRMRS00.007	FANUC M-710iC 20L	yes	80	50	1.3
	ABB IRB 1600				
TRMRS00.008	ABB IRB 6620	no	200	/	2.6
	ABB IRB 6640				
	ABB IRB 6650				
	ABB IRB 6600				
	ABB IRB 6700				
	FANUC R-2000iC/210L				
	KUKA KR210-R3100				
KUKA KR120					
TRMRS00.009	KUKA KR90	no	140	/	2.4
	KUKA KR120				
	KUKA KR150				
	KUKA KR160				
TRMRS00.010	FANUC M-900iA/400L	no	314	/	4.4
TRMRS00.011	EPSON C8-A1401S	no	/	/	1.2
TRMRS00.012	KUKA KR40PA	no	125	/	1.9
	COMAU NJ-40				
	COMAU NJ-60				
	ABB IRB 4600 40 / 45 / 60				
TRMRS00.013	COMAU NJ-110	no	150	/	2.4
TRMRS00.014	COMAU NS-16	no	82	/	1.4
TRMRS00.015	KAWASAKI RS30N / 50N / 80N	no	133	/	1.5
TRMRS00.016	YASKAWA GP180	no	160	/	2.7
TRMRS00.017	ABB IRB 7600-400	no	250	/	3.4
TRMRS00.018	KAWASAKI RS015X	no	75	/	1.4
TRMRS00.019	FANUC M20iD	no	56	/	1.1
TRMRS00.020	KUKA KR50 / KR70	yes	125	122	1.4
TRMRS00.021	FANUC R-1000iA/80F	yes	125	121	1.4
TRMRS00.022	ABB IRB 8700	no	315	/	4
TRMRS00.023	COMAU NJ-16	no	100	/	1.4



4

Tennis rackets for robots not listed may be manufactured upon request

Input data for robot dresspack enquiry

Routing of Utilities

R L

MRS

(from axis 3 to axis 6)

YES NO

YES NO

Tennis Racket

(fixing on axis 6)

Stationary Side

(from axis 1 to axis 3)

YES NO

Circular Chain

(axis 1)

YES NO

Indicate degrees of rotation

Robot OEM

Robot model

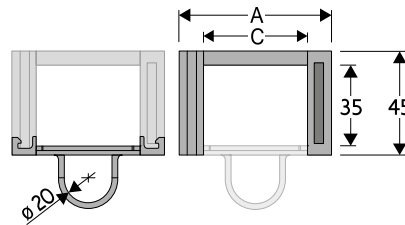
MRS/Conduits size

**Application/
Environment**

495 Circular Nylon Cable Chain with removable frames

Inner height (D) 35 mm

Double share Sideband & Frame construction with large anti-friction single-pin.
Frames removable from inner radius.



Pin

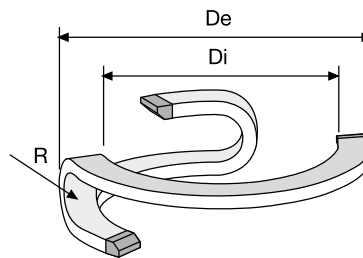
Part.no PG305

Technical characteristics

Speed	180°/s
Acceleration	180°/s ²

For higher requirements please consult our technical dept.

A	B	C	D	R	Weight/pitch	Chain
mm	mm	mm	mm	mm	kg	Part Number
69	45	45	35	100	0,100	495



R	Di	De
mm	mm	mm
100	600	755

Length of Chain

Chain	Degrees	No
Part Numbers	of Rotation	of Pitches
495	90	13
495	180	18
495	270	22
495	360	26



Serie Robot

495
Circular Nylon Cable Chain
with removable frames

Steel End Brackets

The end brackets set, containing two steel plates screwed to the links, allows the two ends of the chain to be attached to the equipment. The end brackets are installed in one position offering the possibility of attaching the chain externally. (Fig. A)

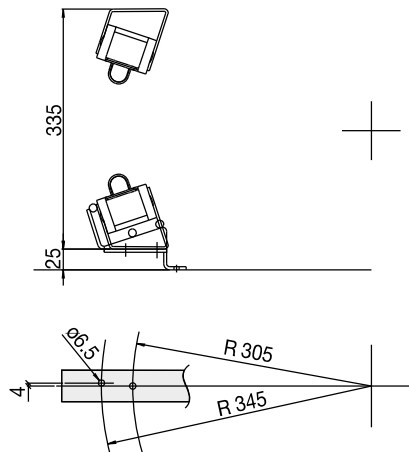


Fig. A

Support Guide

For correct functioning of the chain it is necessary that the installation is done in a specific position.

For this reason Brevetti Stendalto has observed and created a support guide which can do this. (Fig. B)

For particular applications it is possible to create support guides with attachment plates and special dimensions.

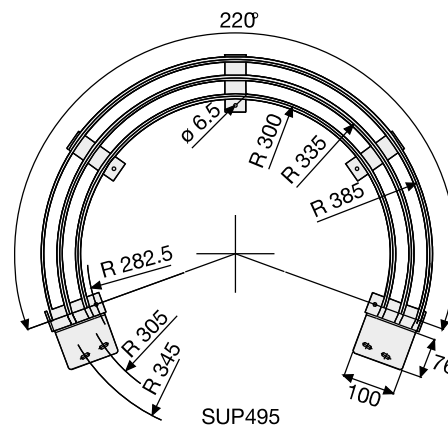


Fig. B

Steel End Brackets Part Numbers

Complete Set Assembled

Chain Type	End Brackets Set
495...	A495KM

Complete Set Unassembled

Chain Type	End Brackets Set
495...	A495K

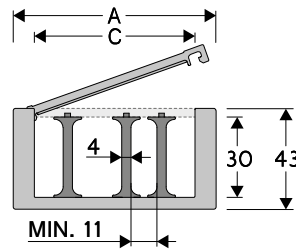
For applications with rotations exceeding 200° it is necessary to use the appropriate accessories for supporting the cable chain. (see page 29).



500 Circular Nylon Cable Chain

Inner height (D) 30 mm

Single link construction.
Frames opening from inner radius.
Internal separation available.



Separator

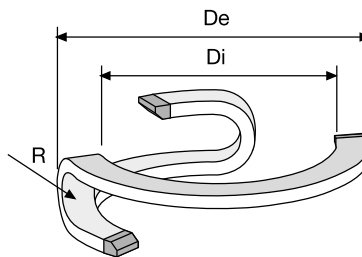
- Unassembled	Part.no S500
- Assembled	Part.no S500MC

Technical characteristics

Speed	180°/s
Acceleration	180°/s ²

For higher requirements please consult our technical dept.

A	B	C	D	R	Weight/pitch	Chain
mm	mm	mm	mm	mm	kg	Part Number
86,5	43	68,5	30	100	0,086	50010
86,5	43	68,5	30	150	0,086	50020



R	Di	De
mm	mm	mm
100	630	830
150	630	830

Length of Chain

Chain	Degrees	No
Part Numbers	of Rotation	of Pitches
50010	90	13
50010	180	17
50010	270	21
50010	360	26
50020	90	15
50020	180	19
50020	270	24
50020	360	28



Serie Robot

500

Circular Nylon Cable Chain

Steel End Brackets

The end brackets set, containing two steel plates screwed to the links, allows the two ends of the chain to be attached to the equipment. The end brackets are installed in one position offering the possibility of attaching the chain externally. (Fig. A)

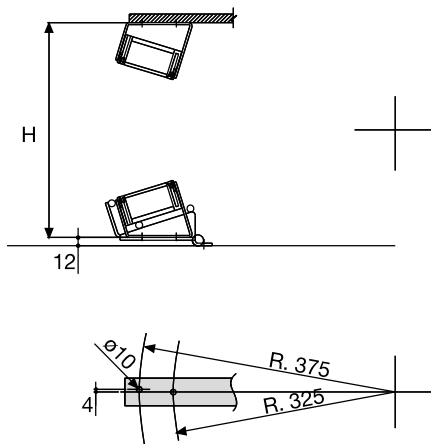


Fig. A

Support Guide

For correct functioning of the chain it is necessary that the installation is done in a specific position.

For this reason Brevetti Stendalto has observed and created a support guide which can do this. (Fig. B)

For particular applications it is possible to create support guides with attachment plates and special dimensions.

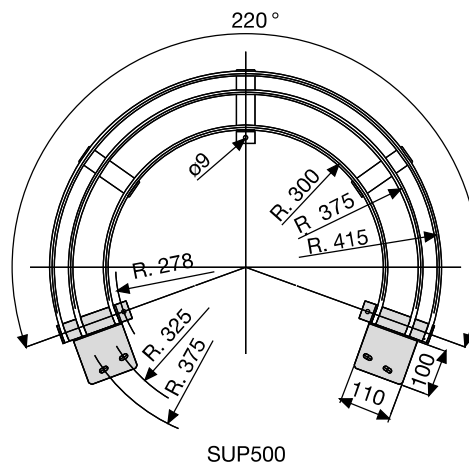


Fig. B

Chain Type	H
50010	330
50020	410

For applications with rotations exceeding 200° it is necessary to use the appropriate accessories for supporting the cable chain. (see page 29).

Steel End Brackets Part Numbers

Complete Set Assembled

Chain Type	End Brackets Set
50010	A50010NKM
50020	A50020NKM

Complete Set Unassembled

Chain Type	End Brackets Set
50010	A50010NK
50020	A50020NK

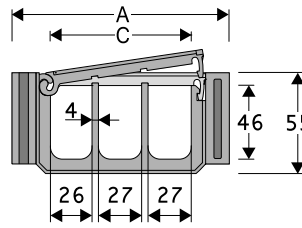


510TN-515TN Circular Nylon Cable Chain with opening frames

Inner height (D) 46 mm

Double share Sideband & Frame construction with large anti-friction twin-pin.

Frames opening from inner radius.



Pin 510TN

Part.no PG511

Pin 515TN

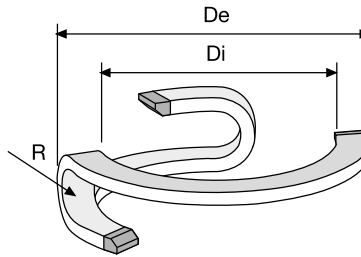
Part.no PG515-B515

Technical characteristics

Speed	180°/s
Acceleration	180°/s ²

For higher requirements please consult our technical dept.

A	B	C	D	R	Weight/pitch	Chain
mm	mm	mm	mm	mm	kg	Part Number
132	55	88	46	125	0,200	510TN
132	55	88	46	175	0,200	515TN



Chain	R	Di	De
Part Number	mm	mm	mm
510TN	125	940	1220
515TN	175	1060	1340

Length of Chain

Chain	Degrees	No
Part Numbers	of Rotation	of Pitches
510TN	90	13
510TN	180	17
510TN	270	22
510TN	360	27
515TN	90	17
515TN	180	23
515TN	270	29
515TN	360	35



515TN

510TN

Serie Robot

510TN

515TN

Circular Nylon Cable Chain with opening frames

Steel End Brackets

The end brackets set, containing two steel plates screwed to the links, allows the two ends of the chain to be attached to the equipment. The end brackets are installed in one position offering the possibility of attaching the chain externally. (Fig. A)

Support Guide

For correct functioning of the chain it is necessary that the installation is done in a specific position.

For this reason Brevetti Stendalto has observed and created a support guide which can do this. (Fig. B)

For particular applications it is possible to create support guides with attachment plates and special dimensions.

510TN

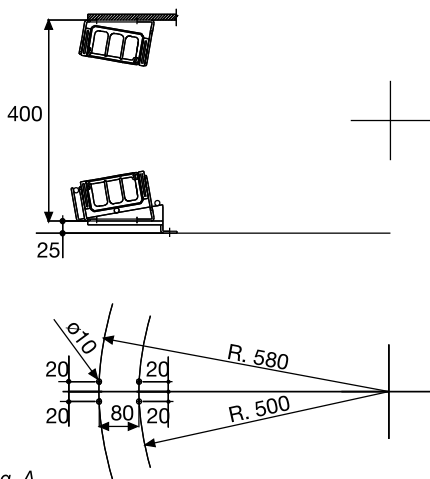


Fig. A

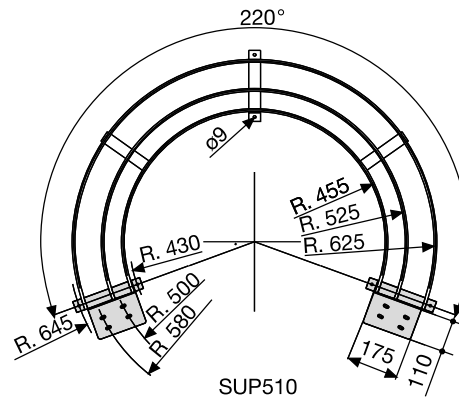


Fig. B

515TN

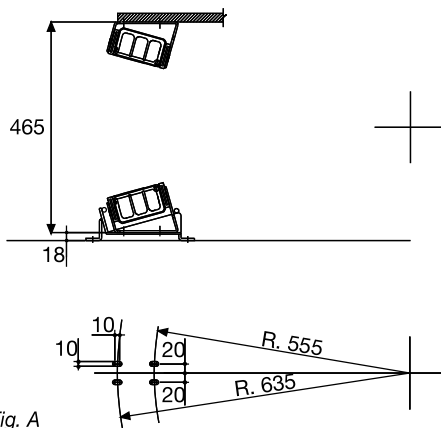


Fig. A

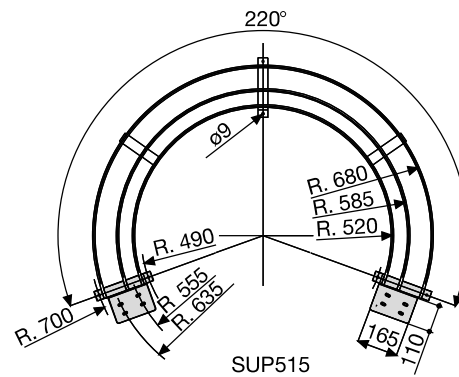


Fig. B

Steel End Brackets Part Numbers

Complete Set Assembled

Chain Type	End Brackets Set
510TN	A510TNKM
515TN	A515TNKM

Complete Set Unassembled

Chain Type	End Brackets Set
510TN	A510TNK
515TN	A515TNK

For applications with rotations exceeding 200° it is necessary to use the appropriate accessories for supporting the cable chain. (see page 29).



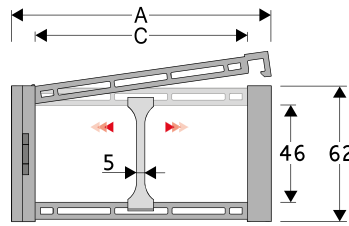
545

Circular Nylon Cable Chain with opening frames

Inner height (D) 46 mm

Double share Sideband & Frame construction with large anti-friction single-pin.

Frames opening from inner radius.



Separator

- Unassembled	Part.no S445UF
- Assembled	Part.no S445UFMC

Pin

Part.no PG545

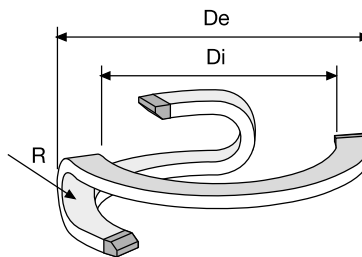
Technical characteristics

Speed	180°/s
Acceleration	180°/s ²

For higher requirements please consult our technical dept.

A	B	C	D	R	Weight/pitch	Chain
mm	mm	mm	mm	mm	kg	Part Number
123	62	100	46	100	0,200	545S1100100

R	Di	De
mm	mm	mm
100	485	760



Length of Chain

Chain	Degrees	No
Part Numbers	of Rotation	of Pitches
545	90	14
545	180	18
545	270	22
545	360	27



Serie Robot

545
Circular Nylon Cable Chain with opening frames

Steel End Brackets

The end brackets set, containing two steel plates screwed to the links, allows the two ends of the chain to be attached to the equipment. The end brackets are installed in one position offering the possibility of attaching the chain externally. (Fig. A)

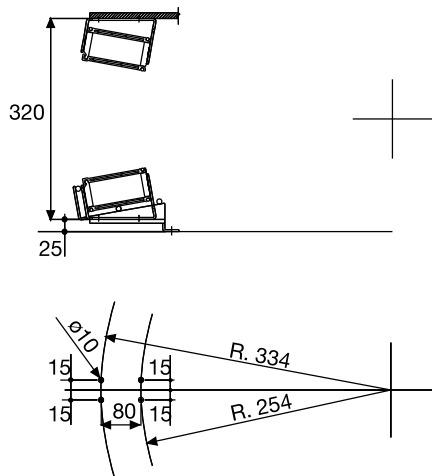


Fig. A

Support Guide

For correct functioning of the chain it is necessary that the installation is done in a specific position.

For this reason Brevetti Stendalto has observed and created a support guide which can do this. (Fig. B)

For particular applications it is possible to create support guides with attachment plates and special dimensions.

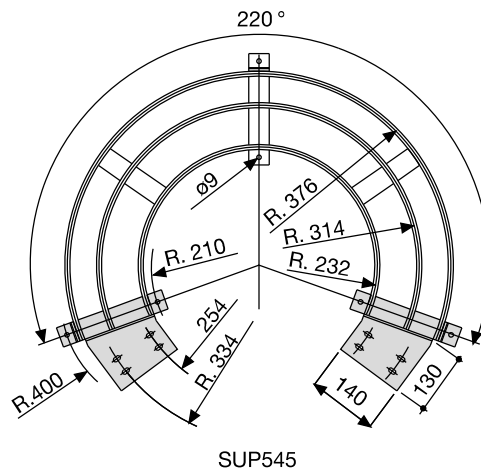


Fig. B

Steel End Brackets Part Numbers

Complete Set Assembled

Chain Type	End Brackets Set
545	A545KM

Complete Set Unassembled

Chain Type	End Brackets Set
545	A545K

For applications with rotations exceeding 200° it is necessary to use the appropriate accessories for supporting the cable chain. (see page 29).



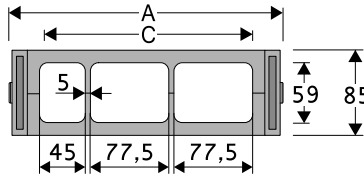
599

Circular Nylon Cable Chain with un-screwable aluminium frames

Inner height (D) 59 mm

Strong double share Sideband & Frame construction with three single-pins in steel for high torsion resistance.

Alu-frames are un-screwable from inner and outer radius.



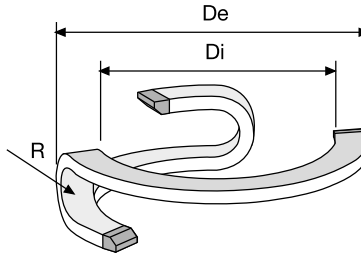
Technical characteristics

Speed	180°/s
Acceleration	180°/s ²

For higher requirements please consult our technical dept.

A	B	C	D	R	Weight/pitch	Chain
mm	mm	mm	mm	mm	kg	Part Number
272	85	210	59	220	0,900	599

R	Di	De
mm	mm	mm
220	1400	2000



Length of Chain

Chain	Degrees	No
Part Numbers	of Rotation	of Pitches
599	90	14
599	180	19
599	270	23
599	360	28



Version with horizontal separators

Serie Robot

599

Circular Nylon Cable Chain with un-screwable aluminium frames

Steel End Brackets

The end brackets set, containing two steel plates screwed to the links, allows the two ends of the chain to be attached to the equipment. The end brackets are installed in one position offering the possibility of attaching the chain externally. (Fig. A)

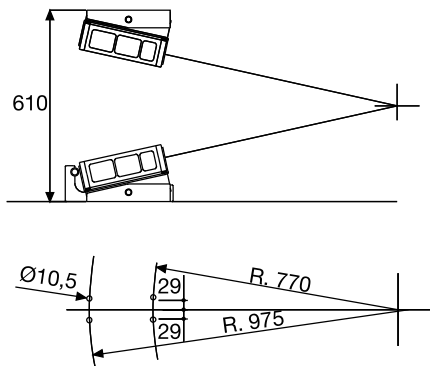


Fig. A

Support Guide

For correct functioning of the chain it is necessary that the installation is done in a specific position.

For this reason Brevetti Stendalto has observed and created a support guide which can do this. (Fig. B)

For particular applications it is possible to create support guides with attachment plates and special dimensions.

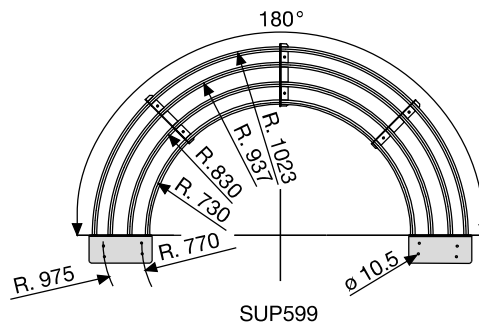


Fig. B

Steel End Brackets Part Numbers

Complete Set Assembled

Chain Type	End Brackets Set
599	A599KM

Complete Set Unassembled

Chain Type	End Brackets Set
599	A599K

For applications with rotations exceeding 200° it is necessary to use the appropriate accessories for supporting the cable chain. (see page 29).



